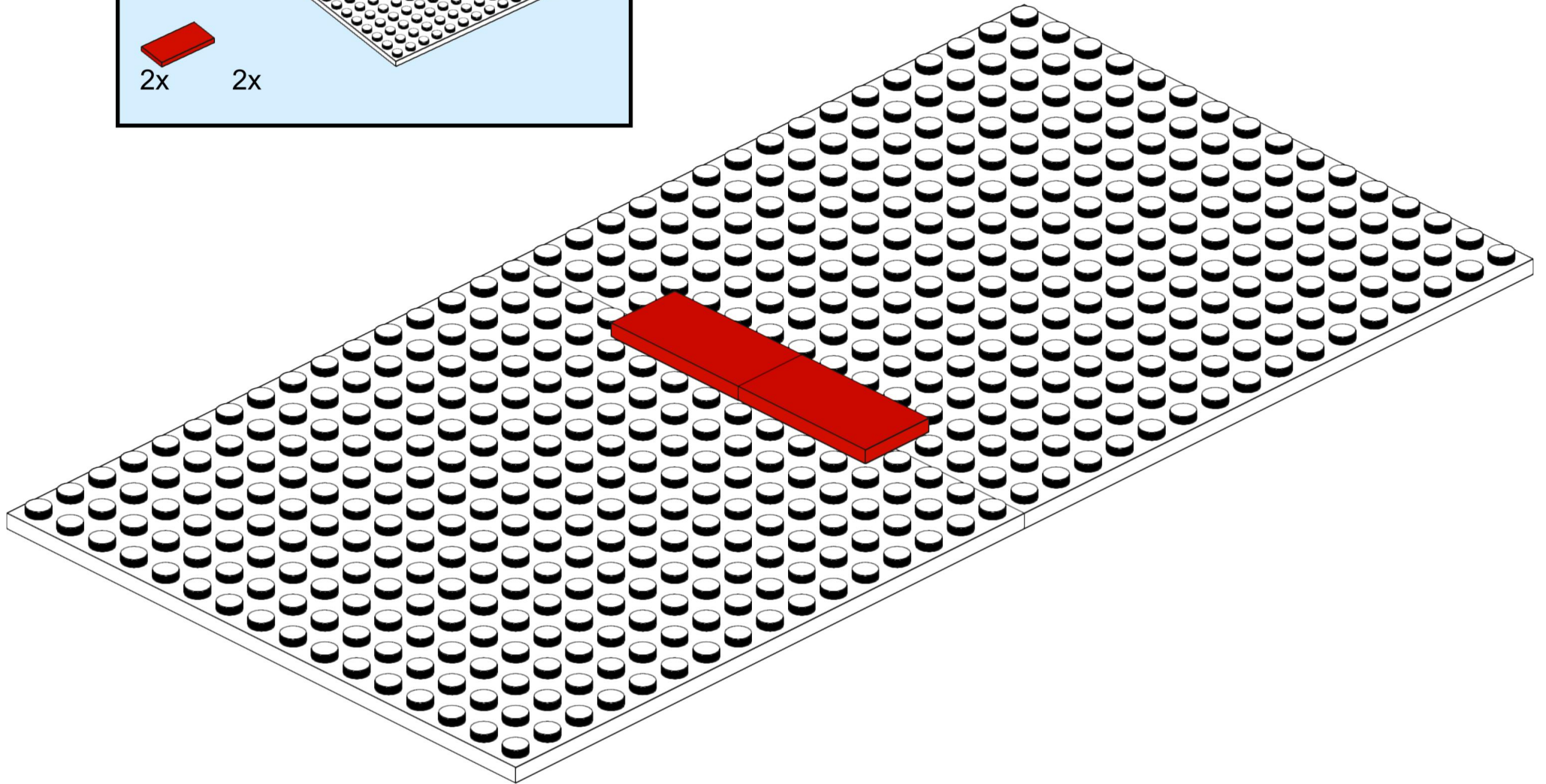
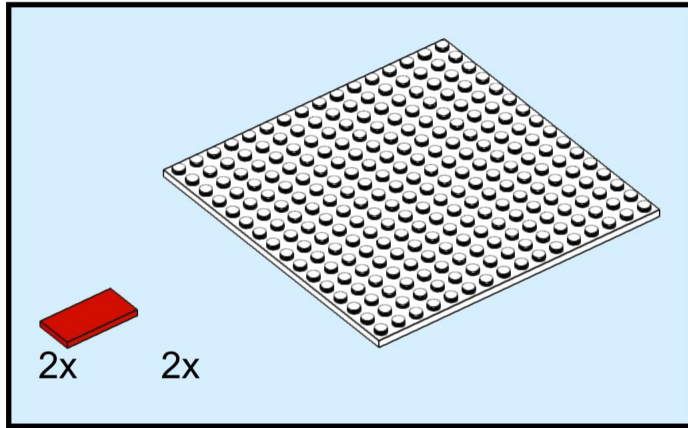
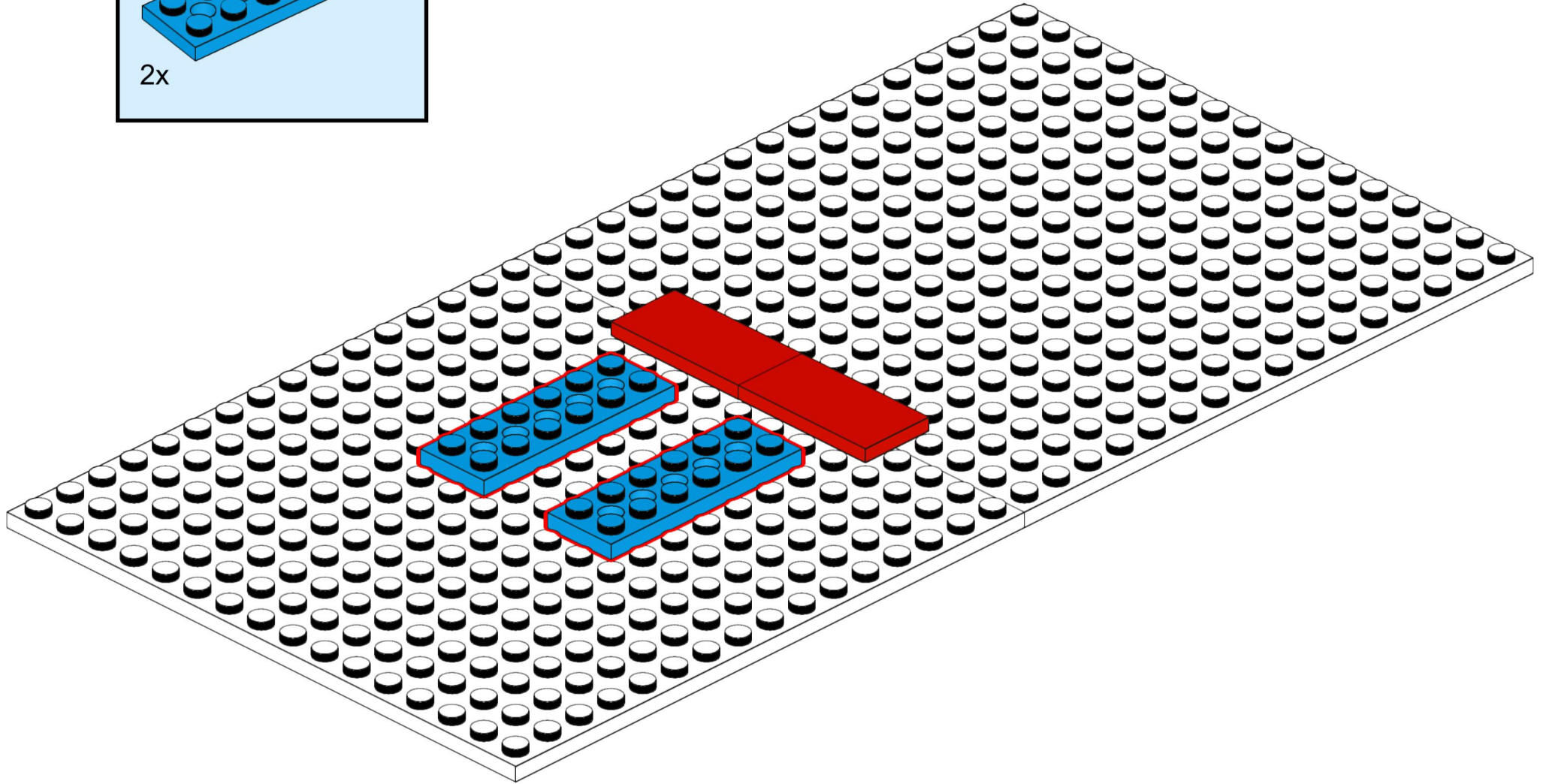
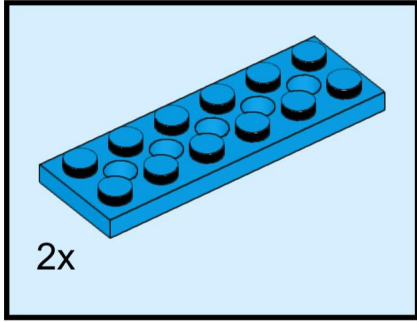


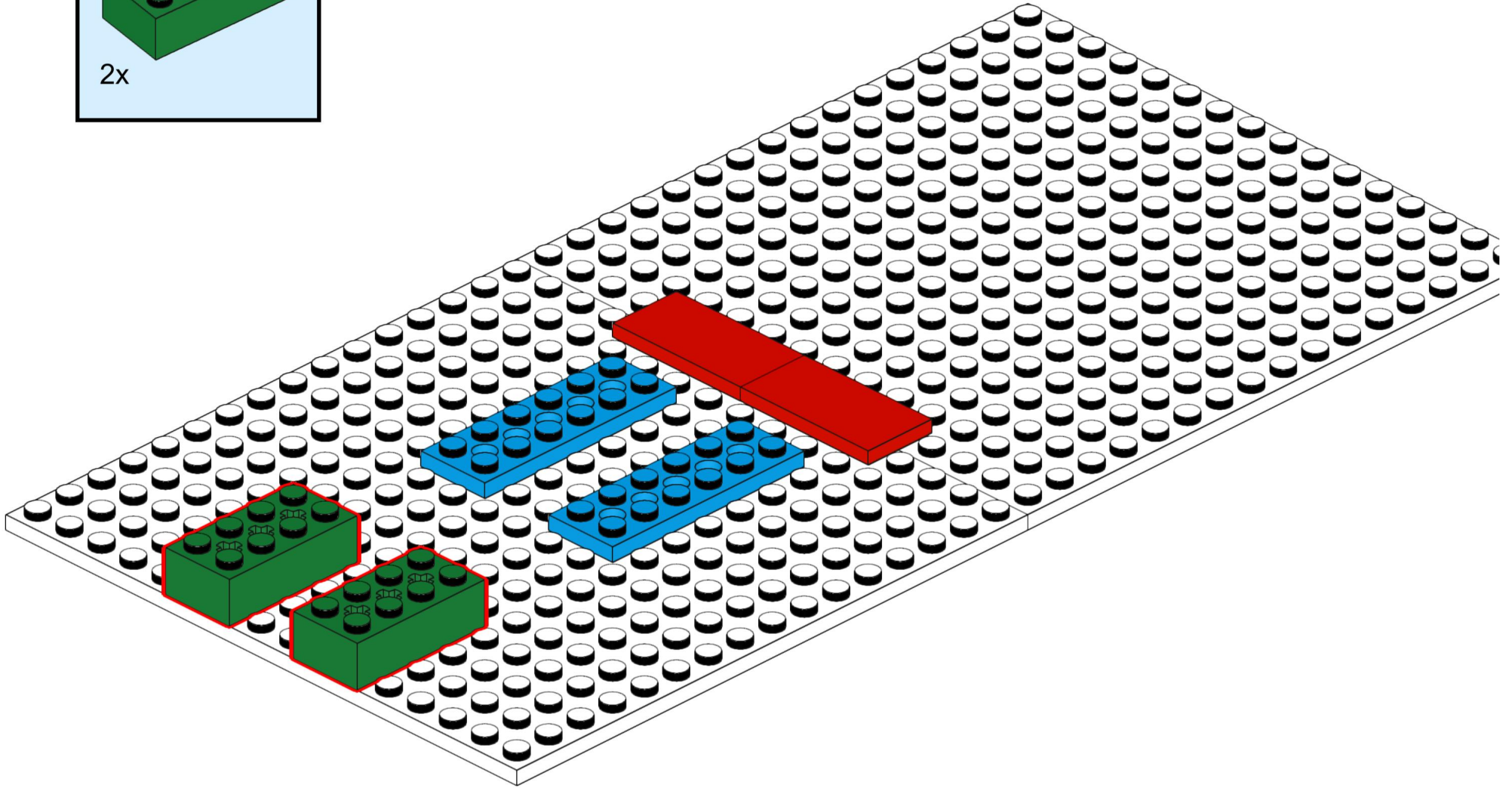
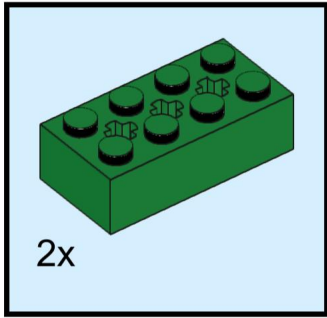
1



2

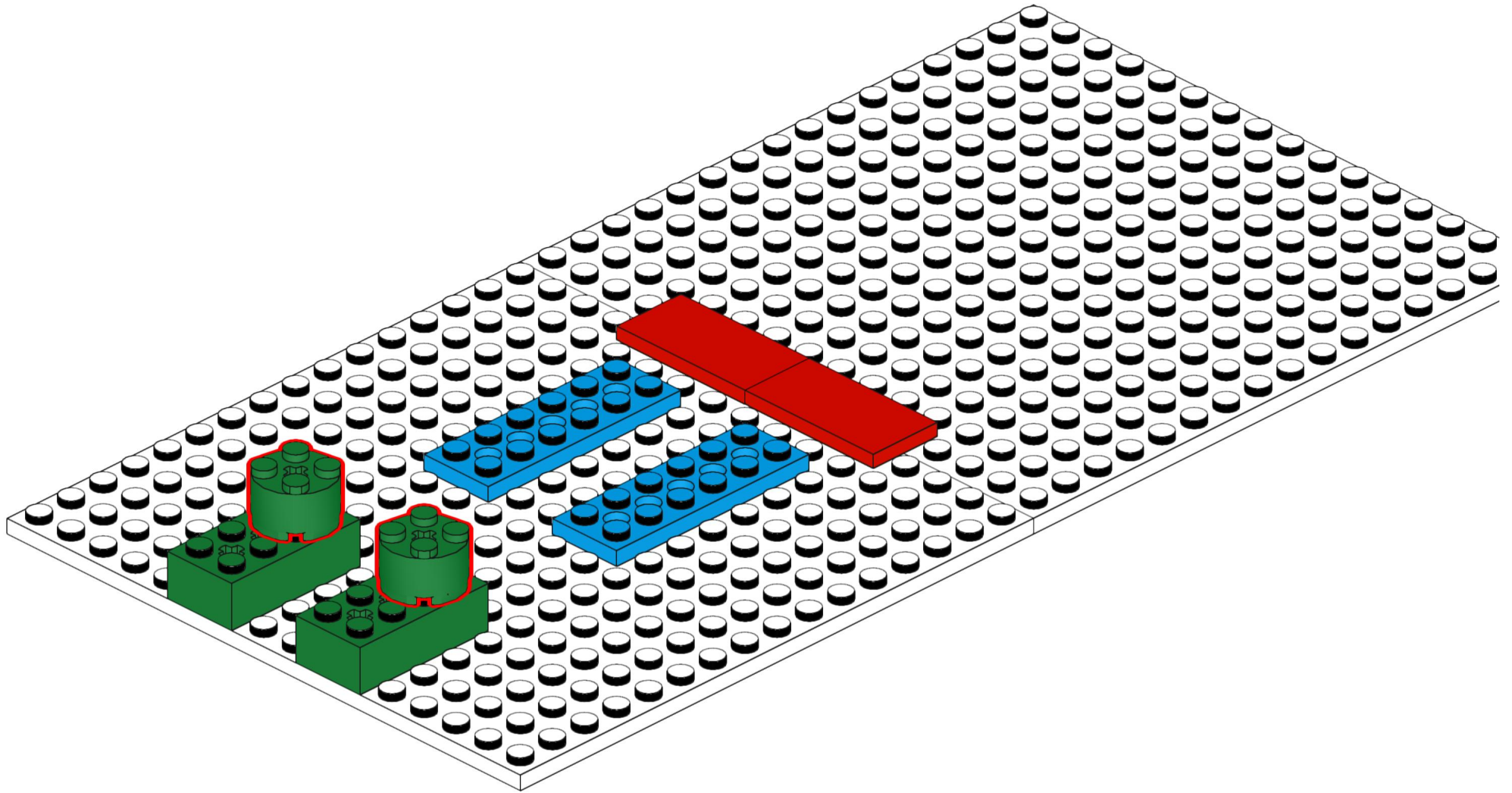
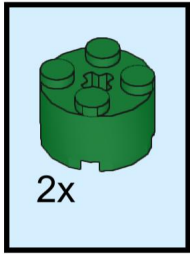


3



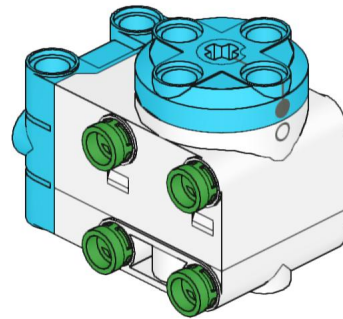
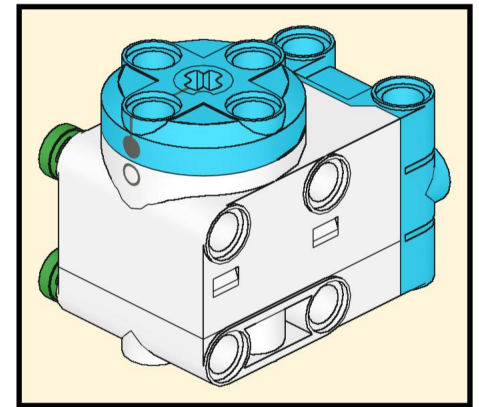
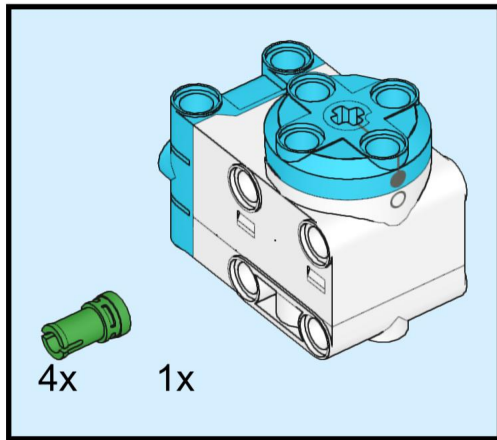


4

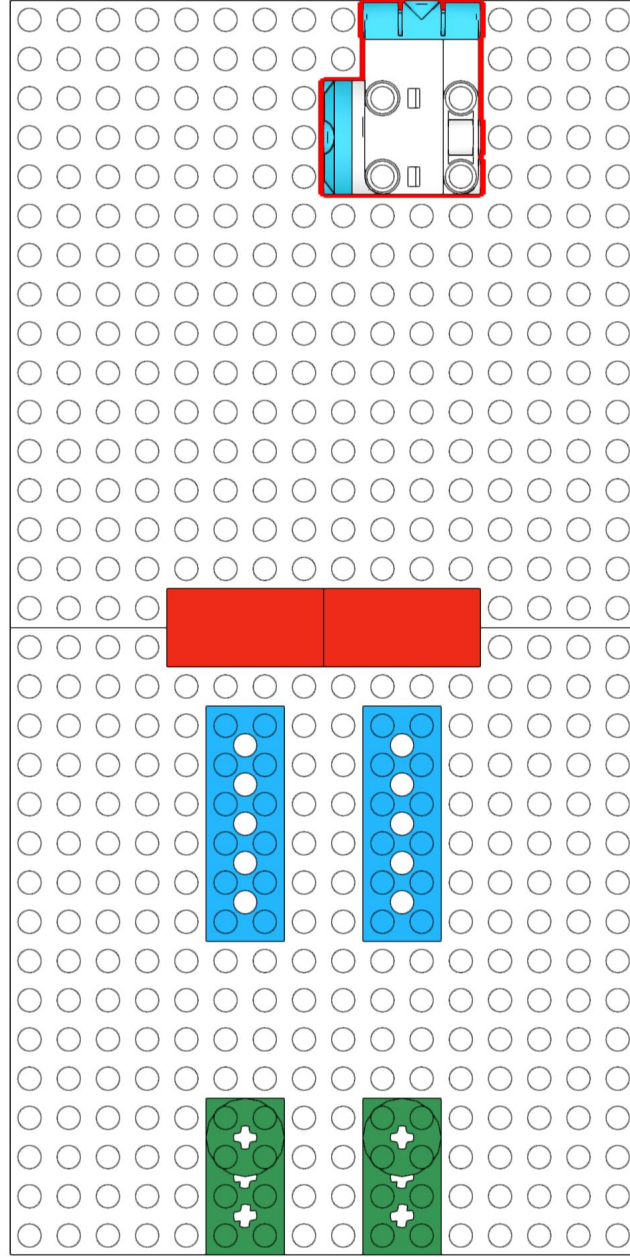




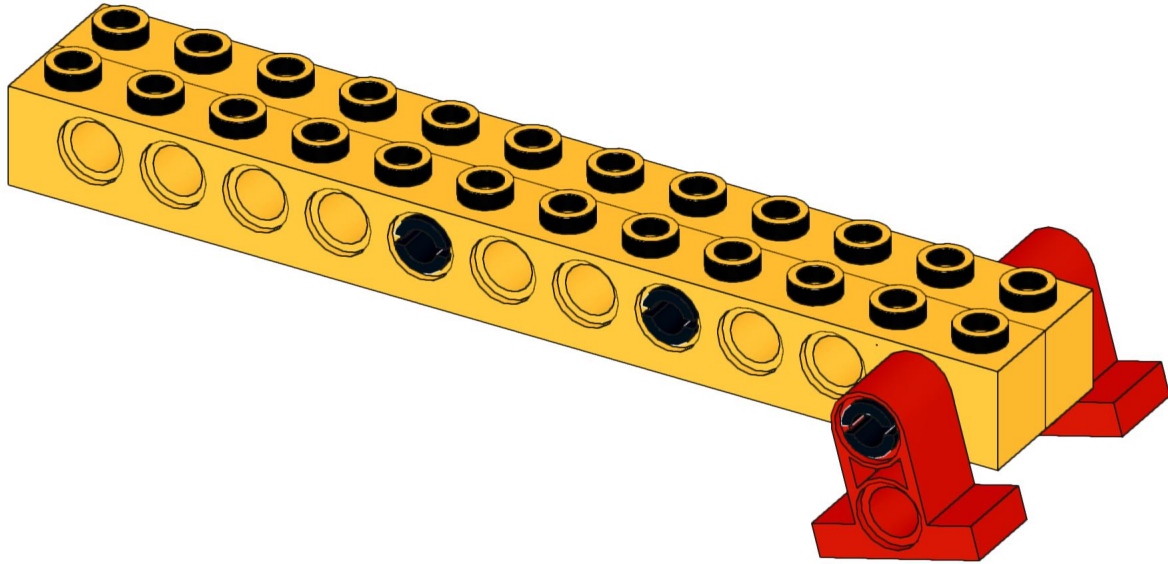
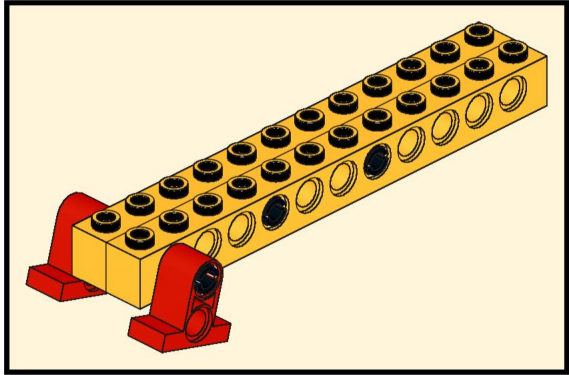
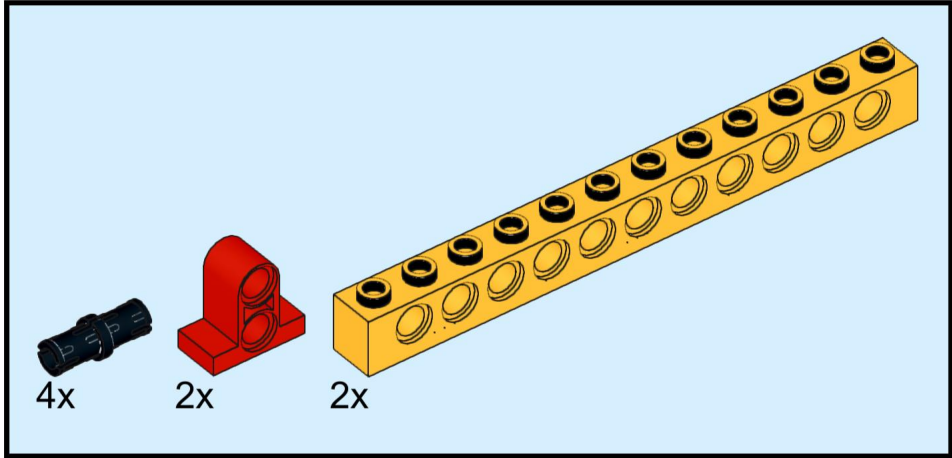
5



6

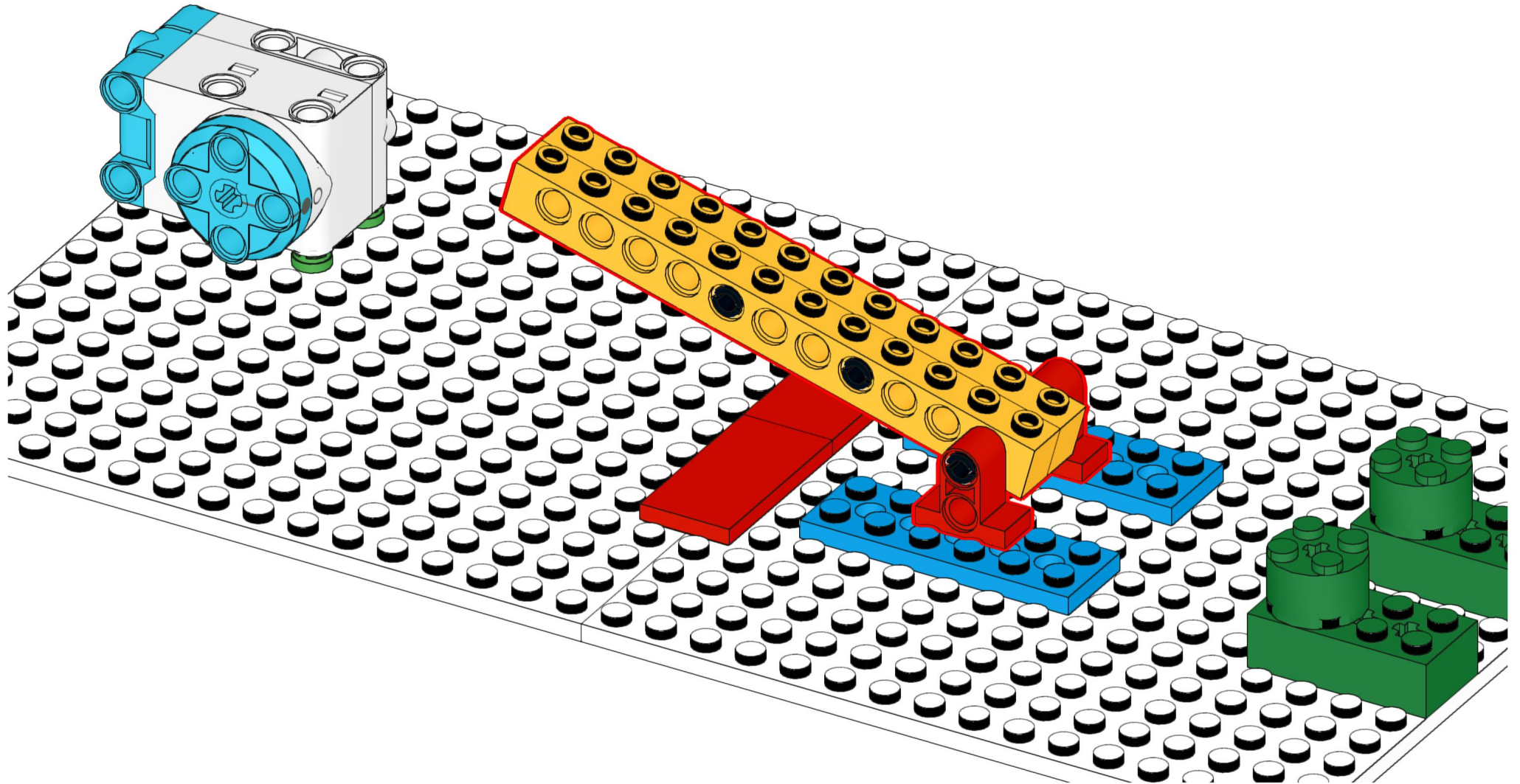


7

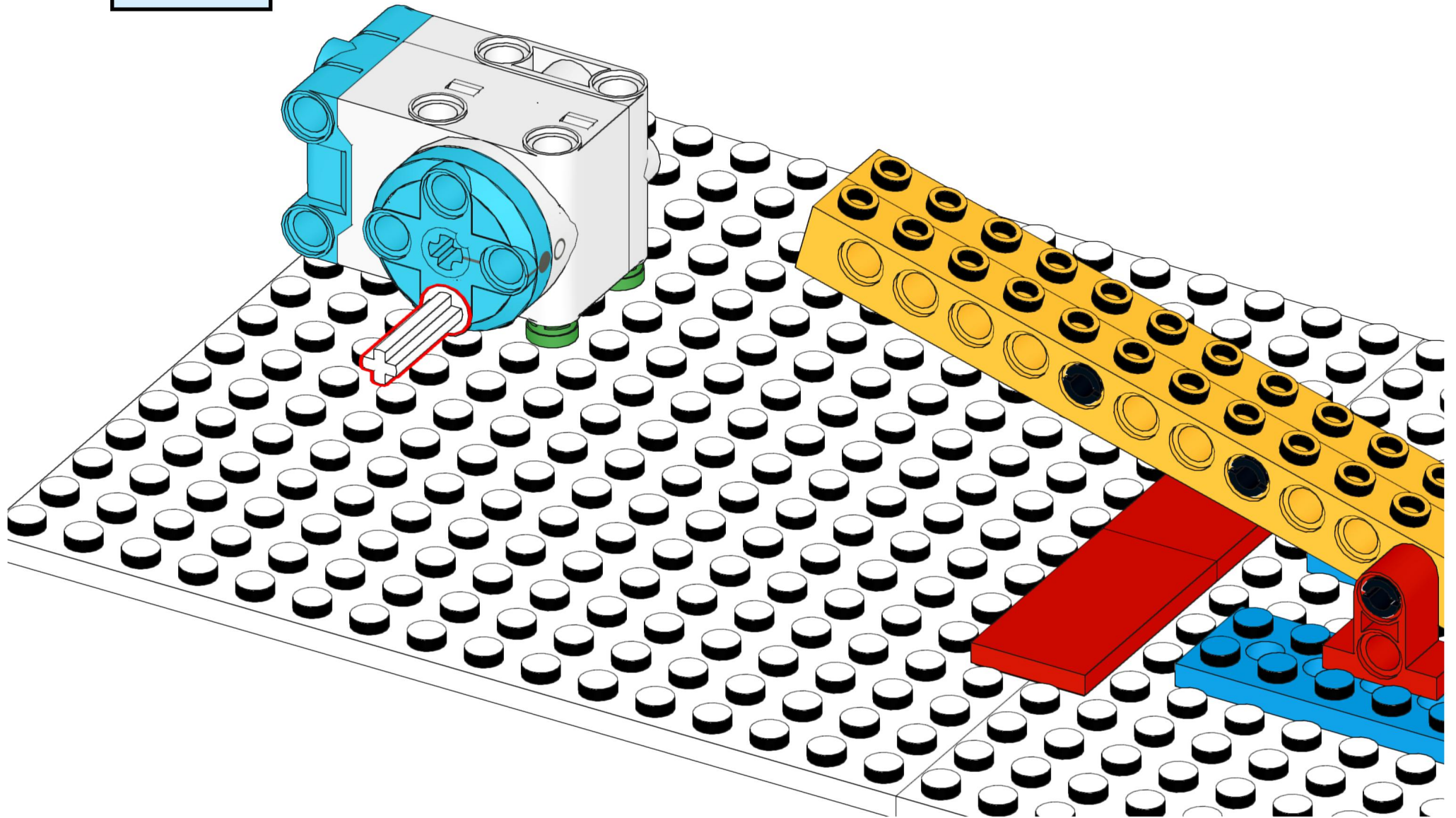
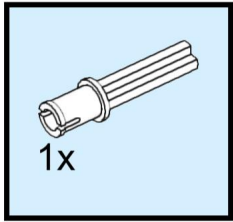




8

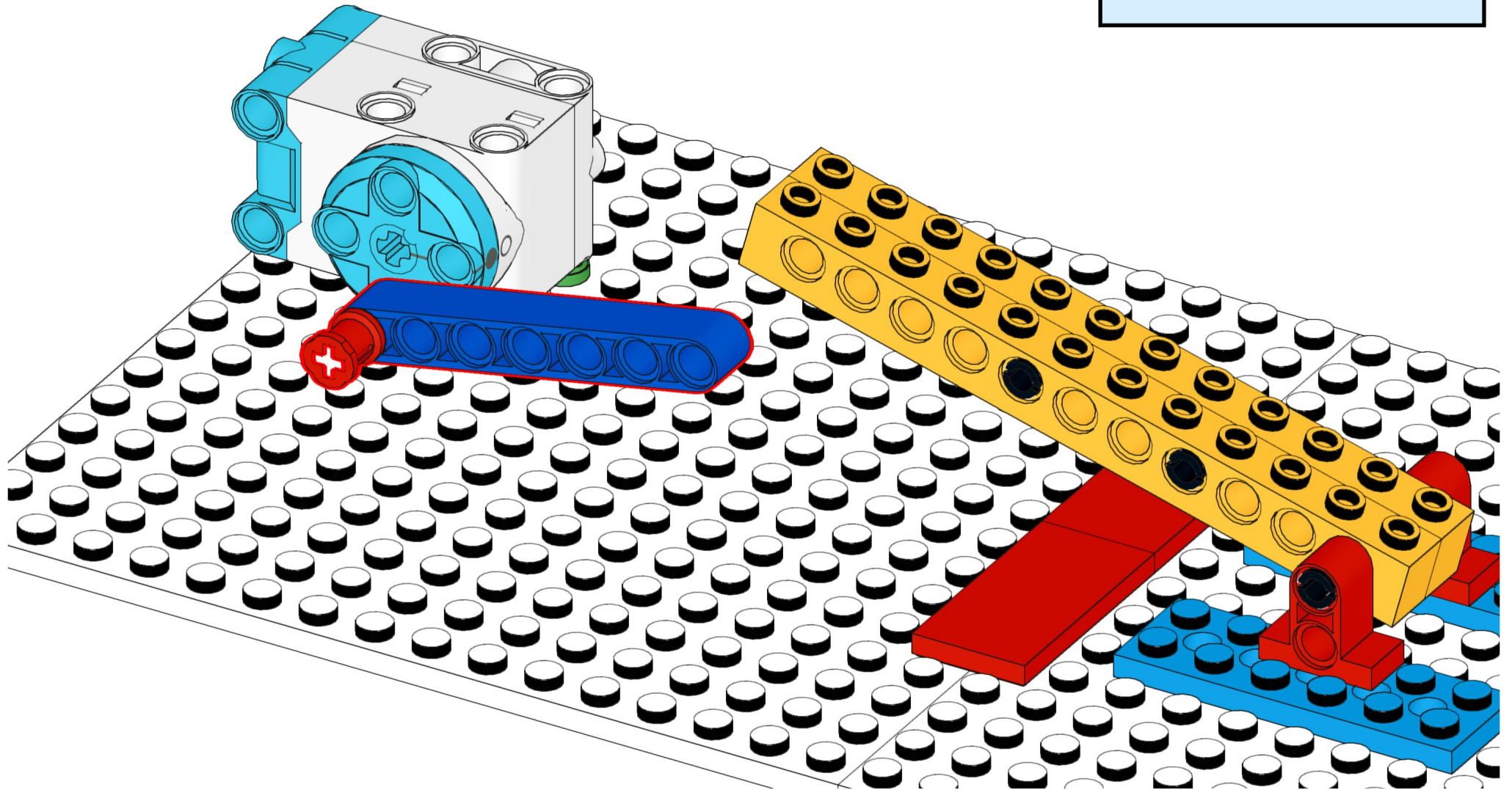
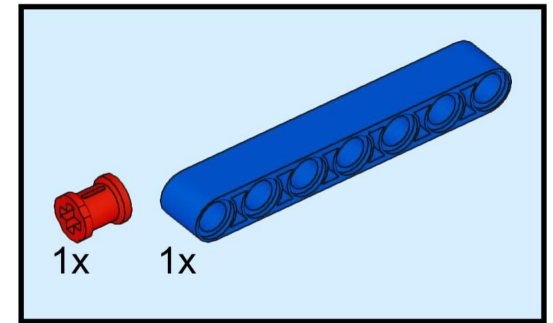


9



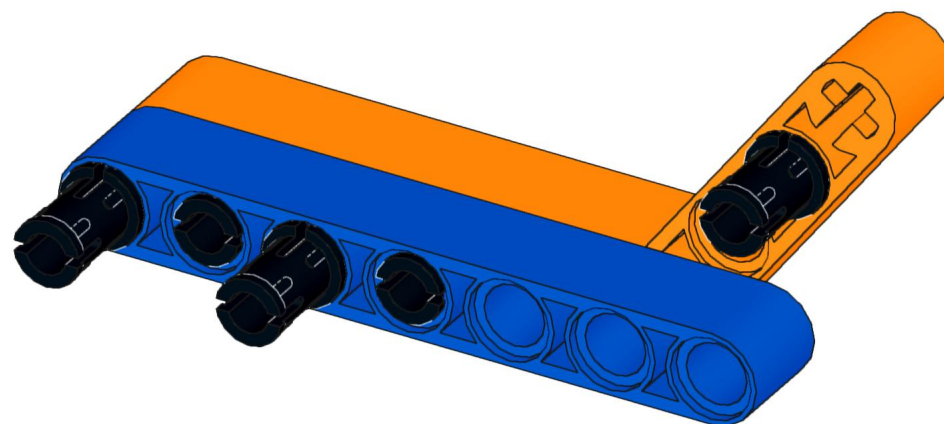
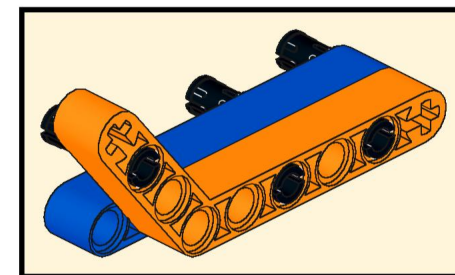
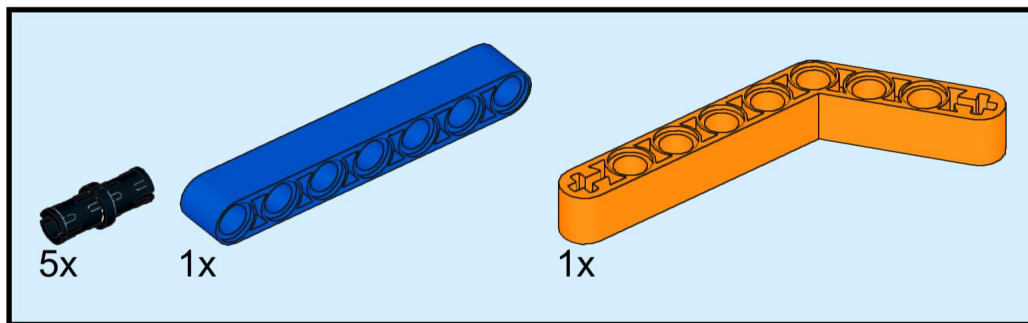


# 10

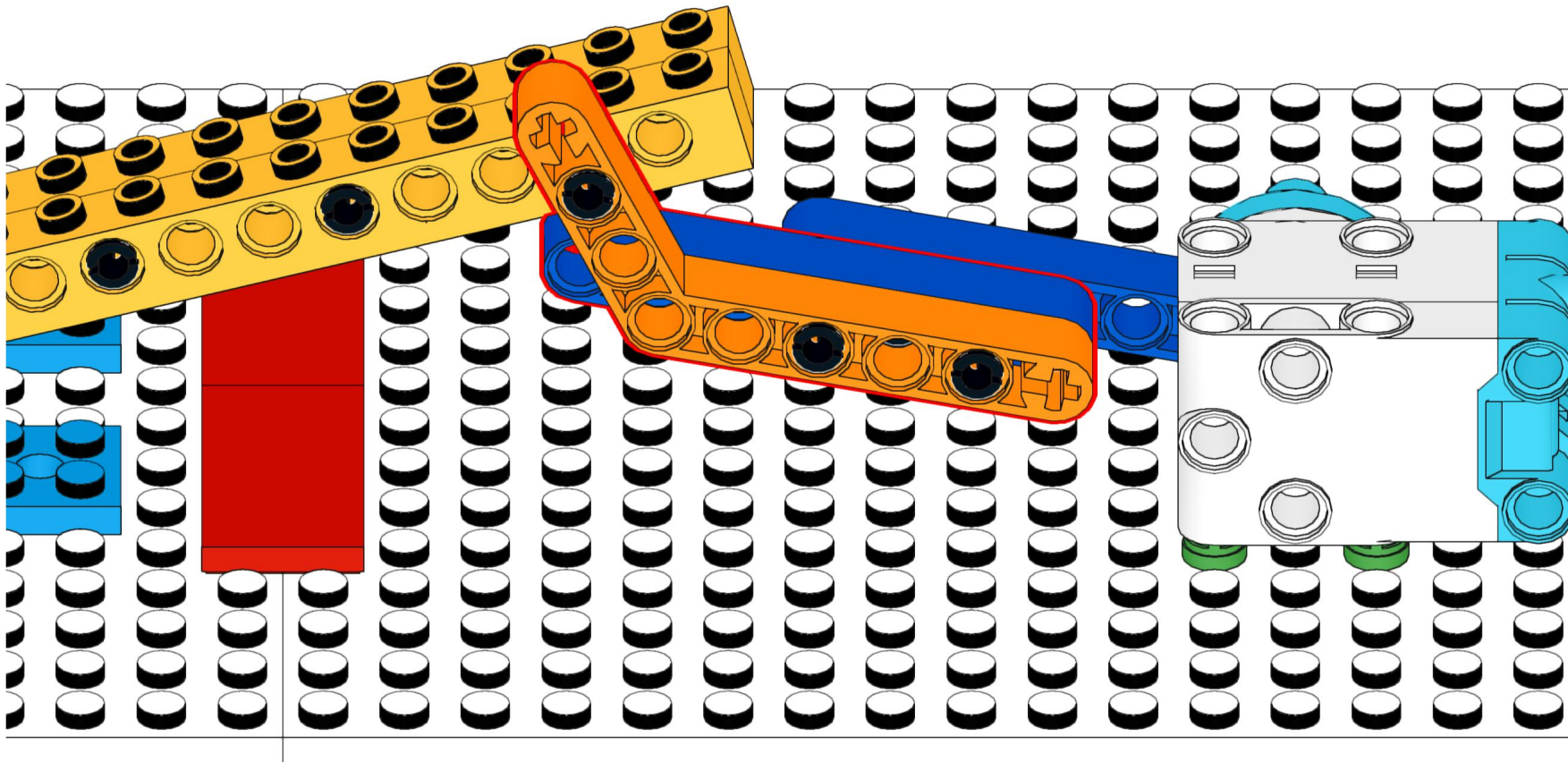




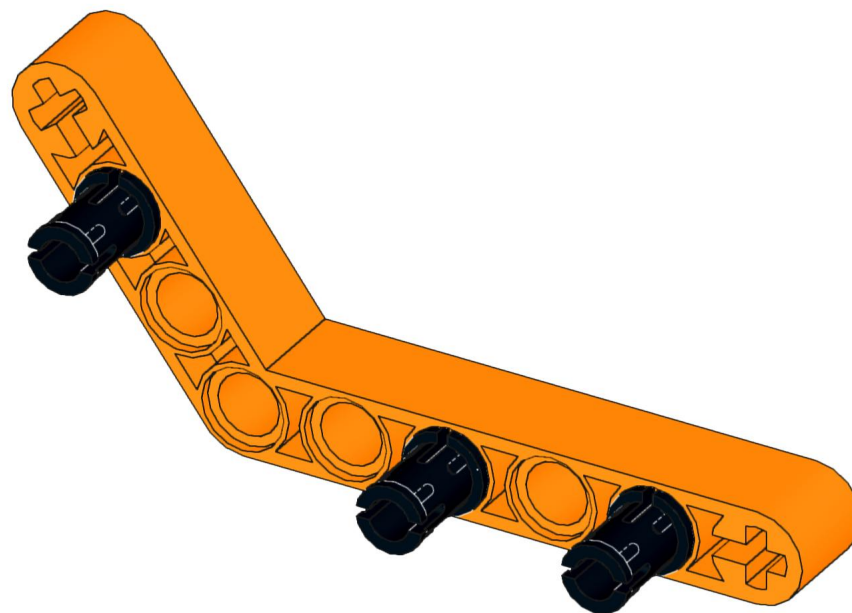
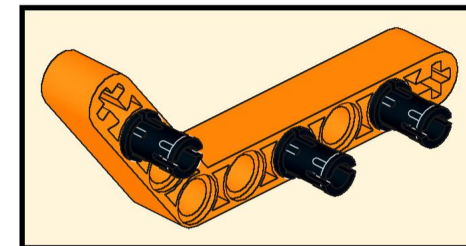
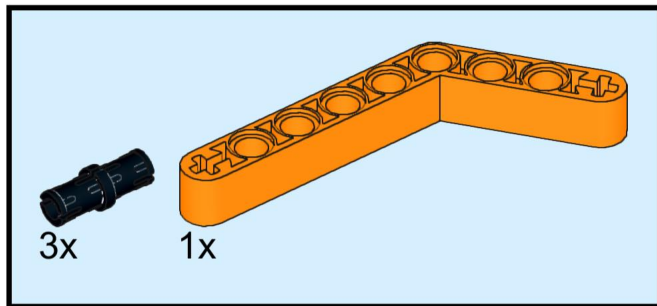
# 11



# 12

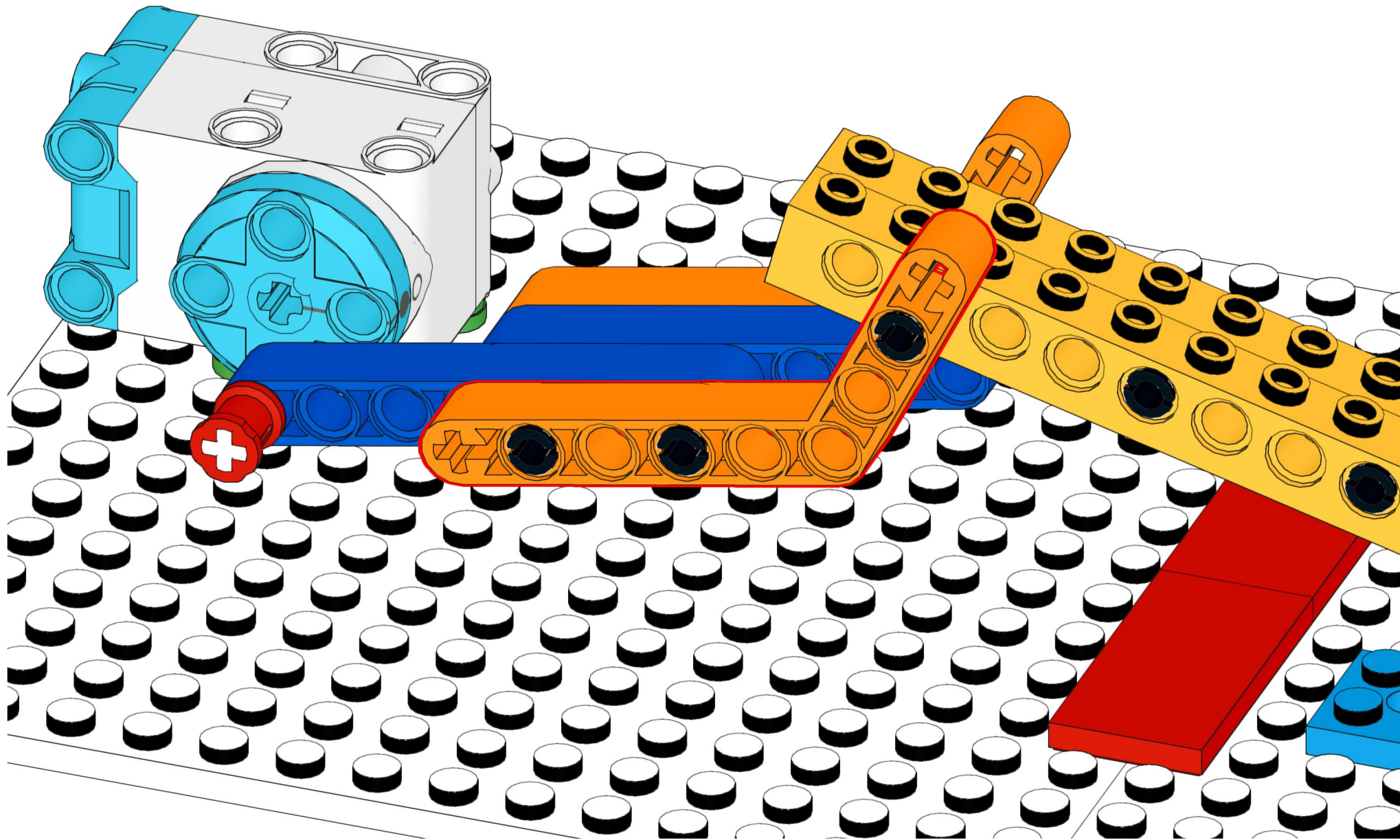


# 13

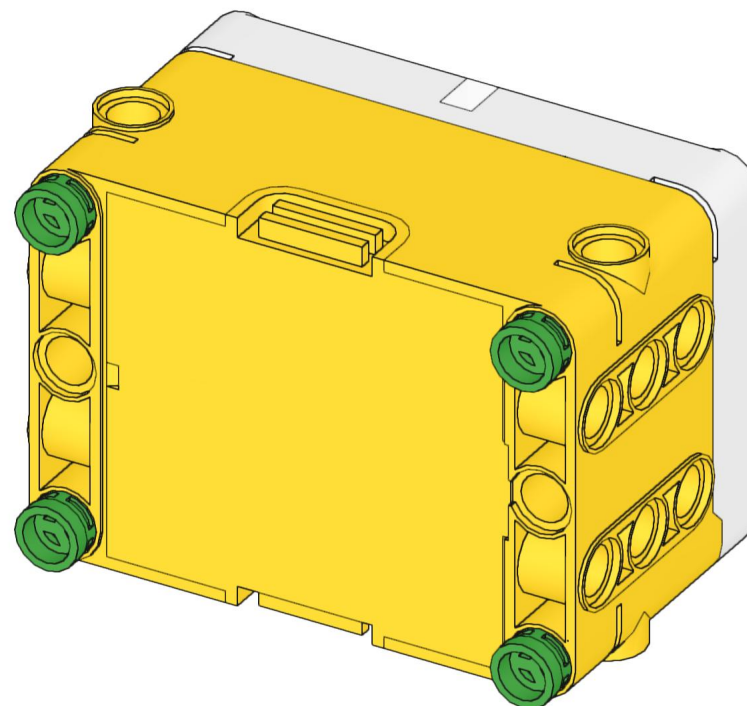
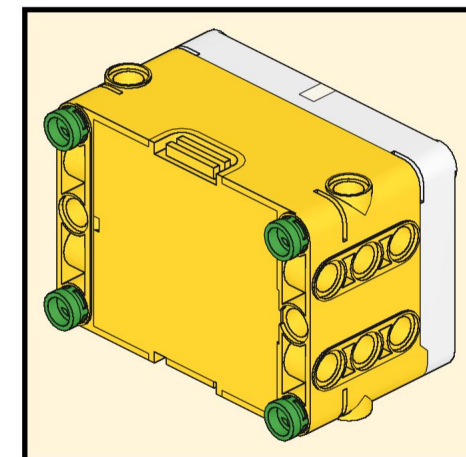
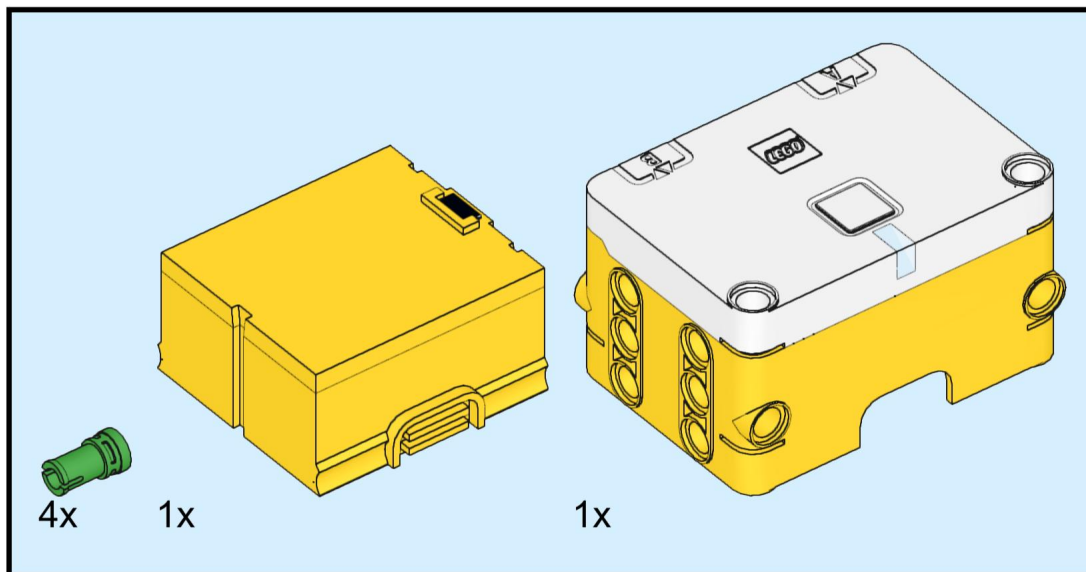




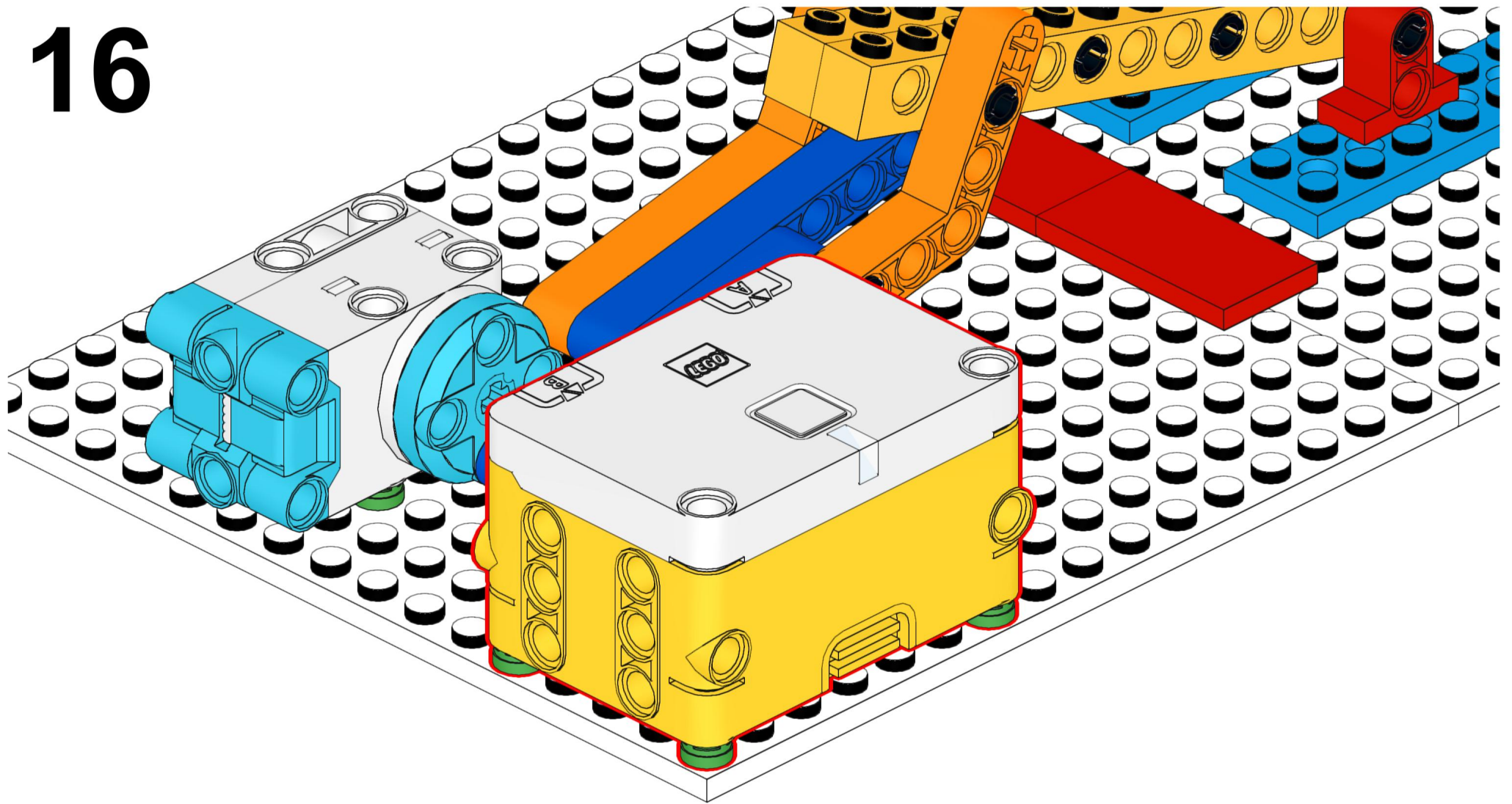
14



# 15

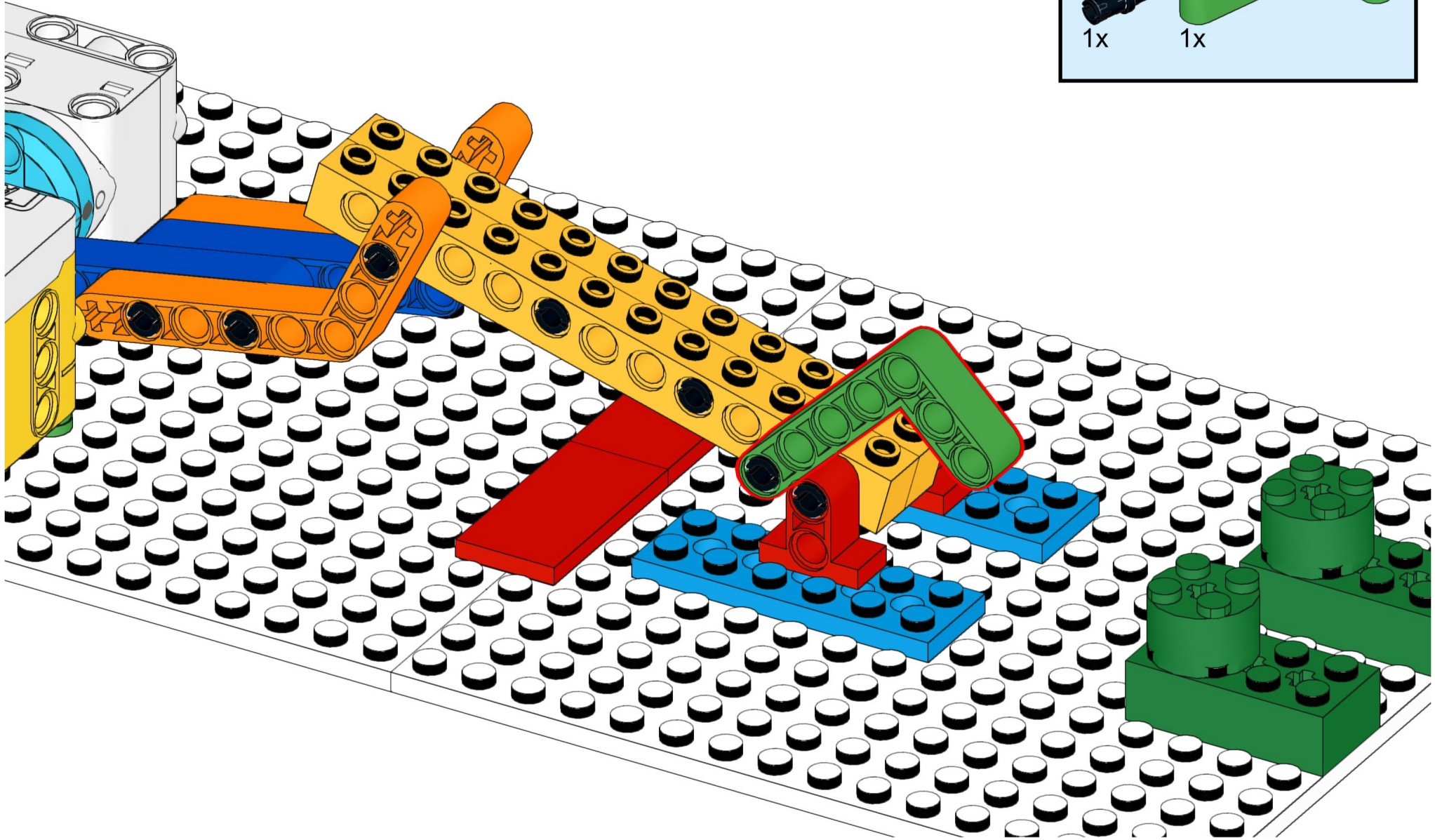
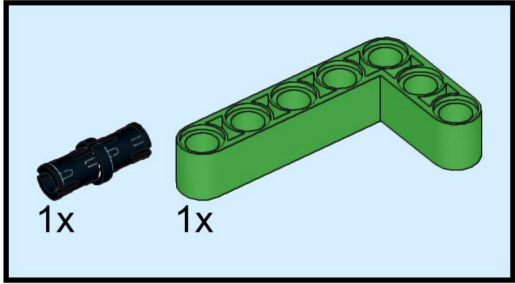


16

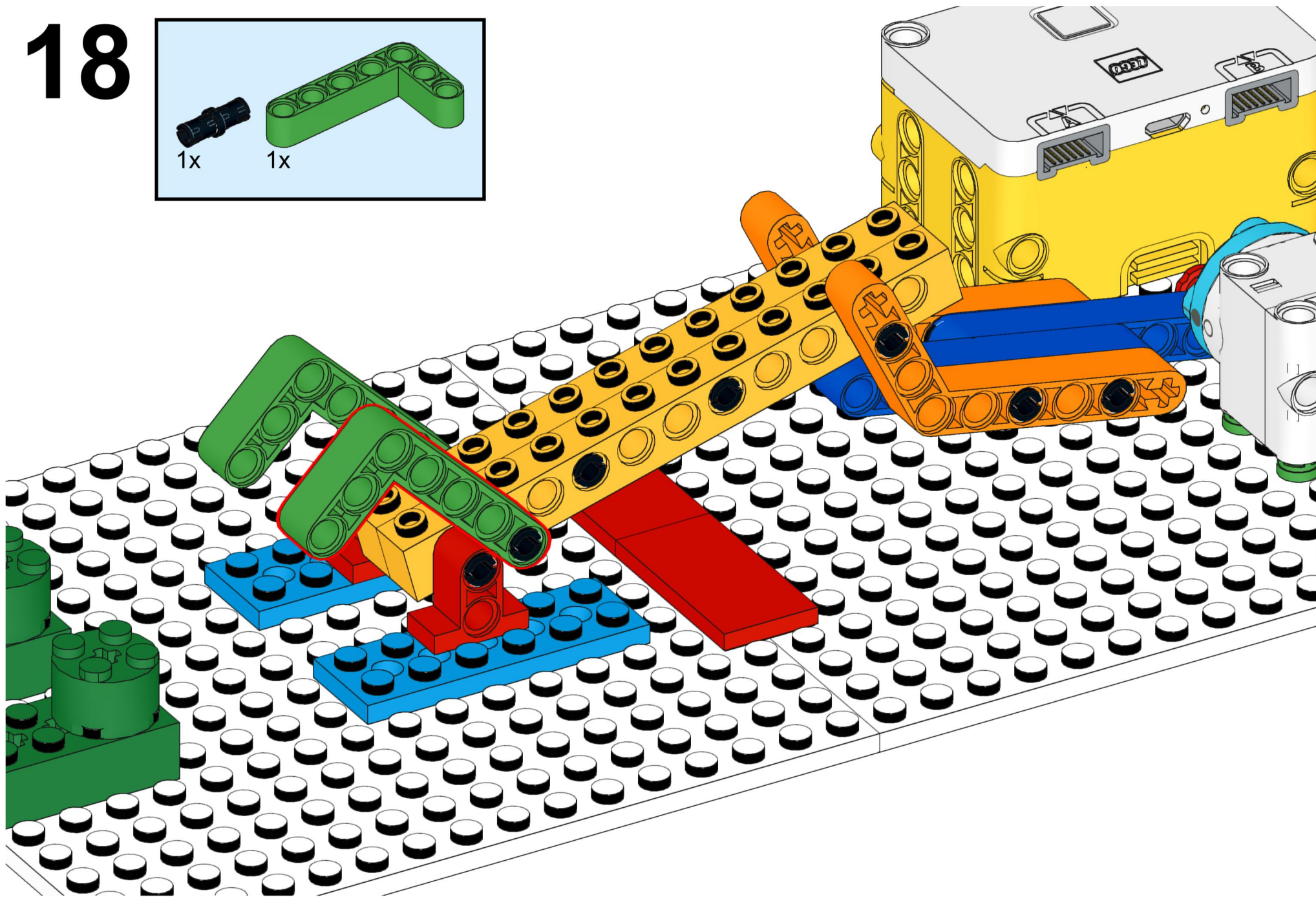
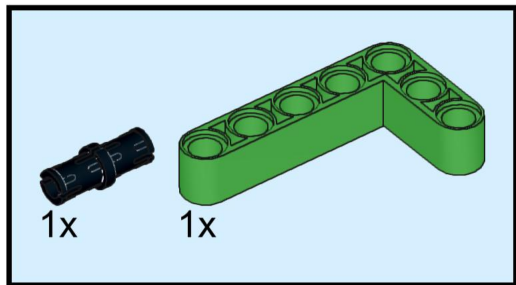




# 17

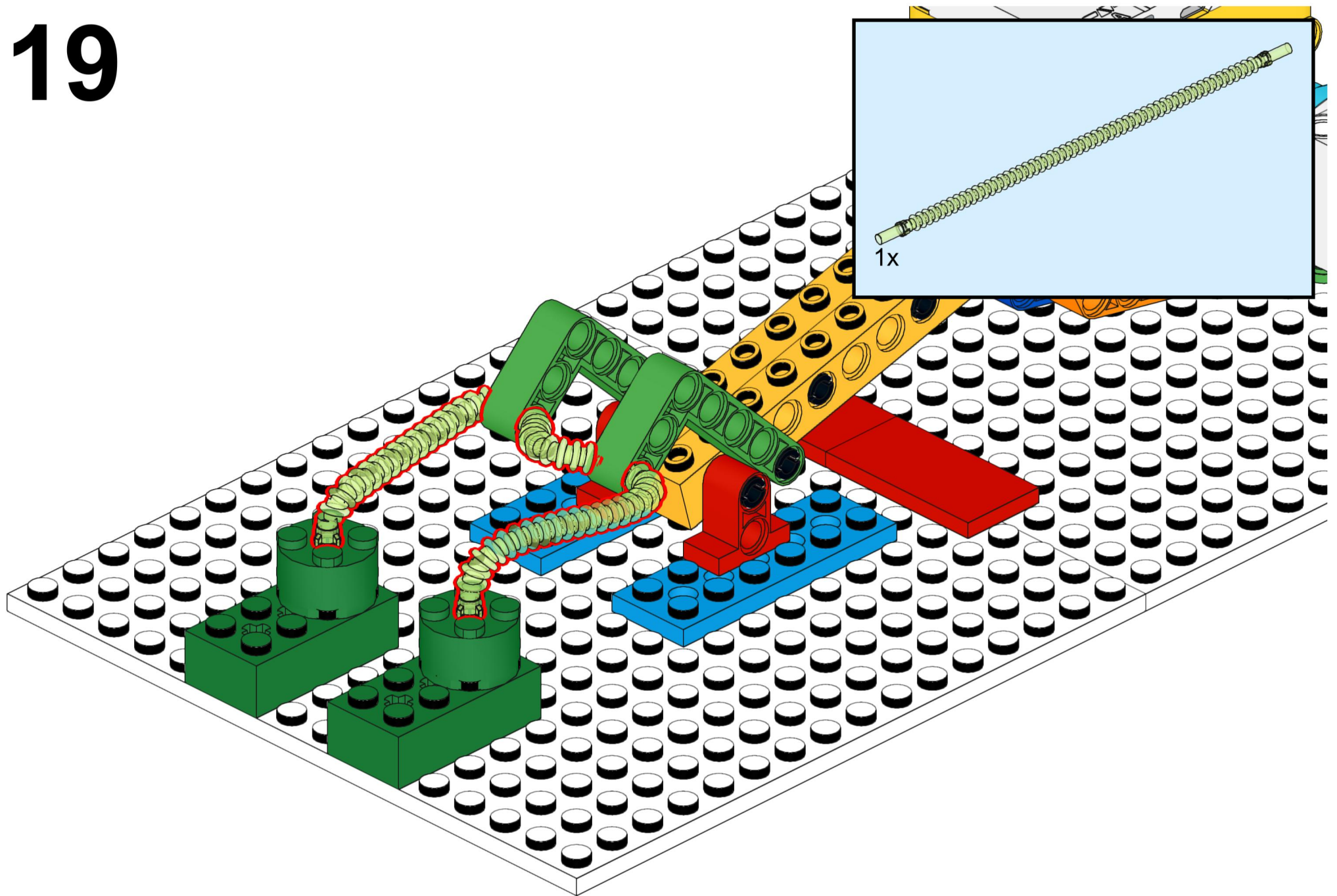


# 18



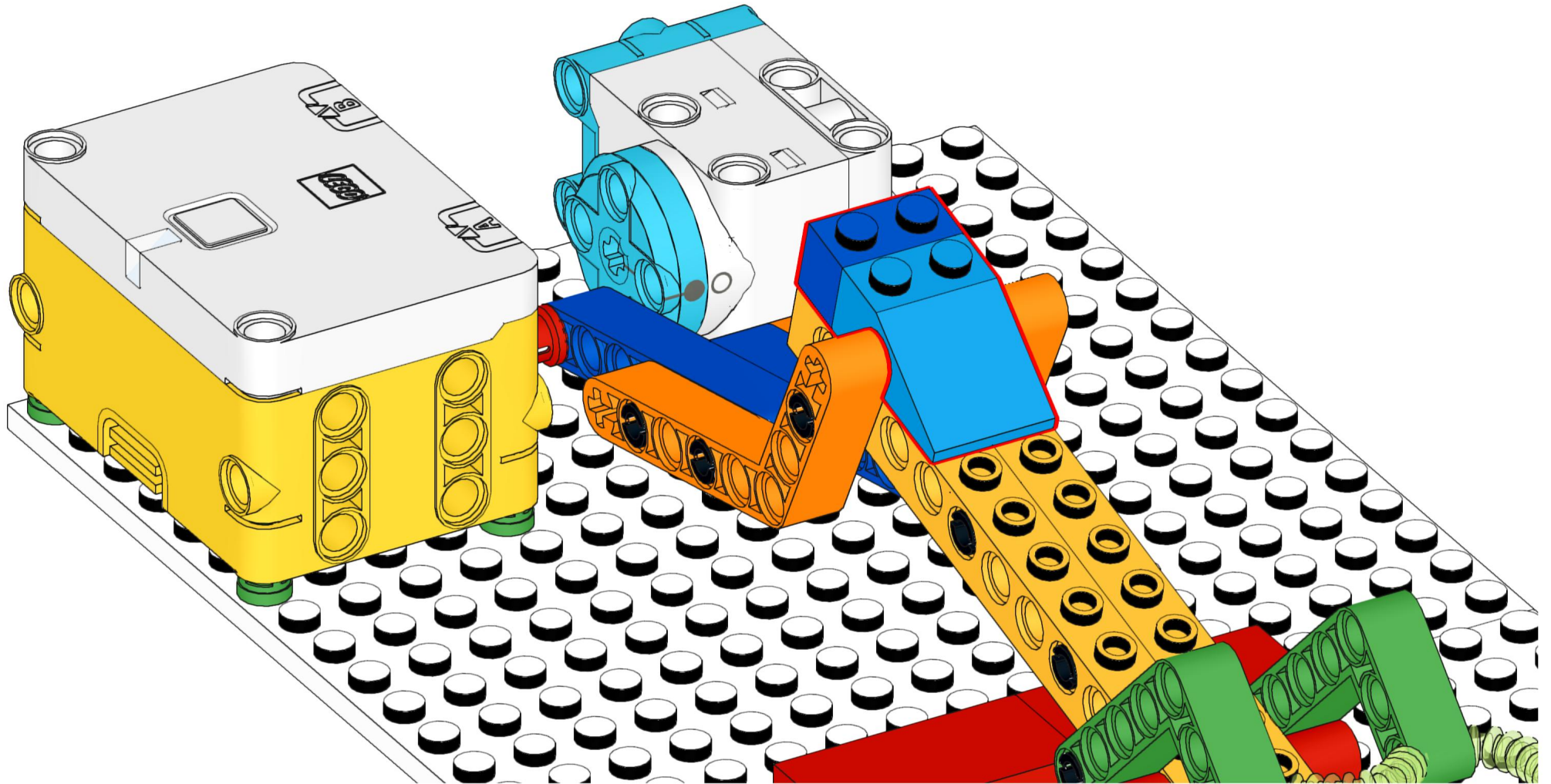
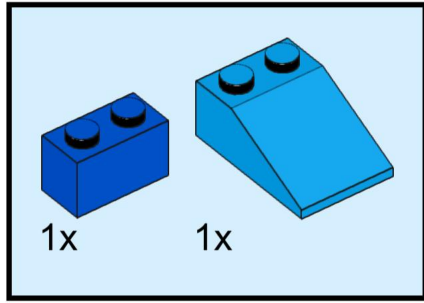


# 19

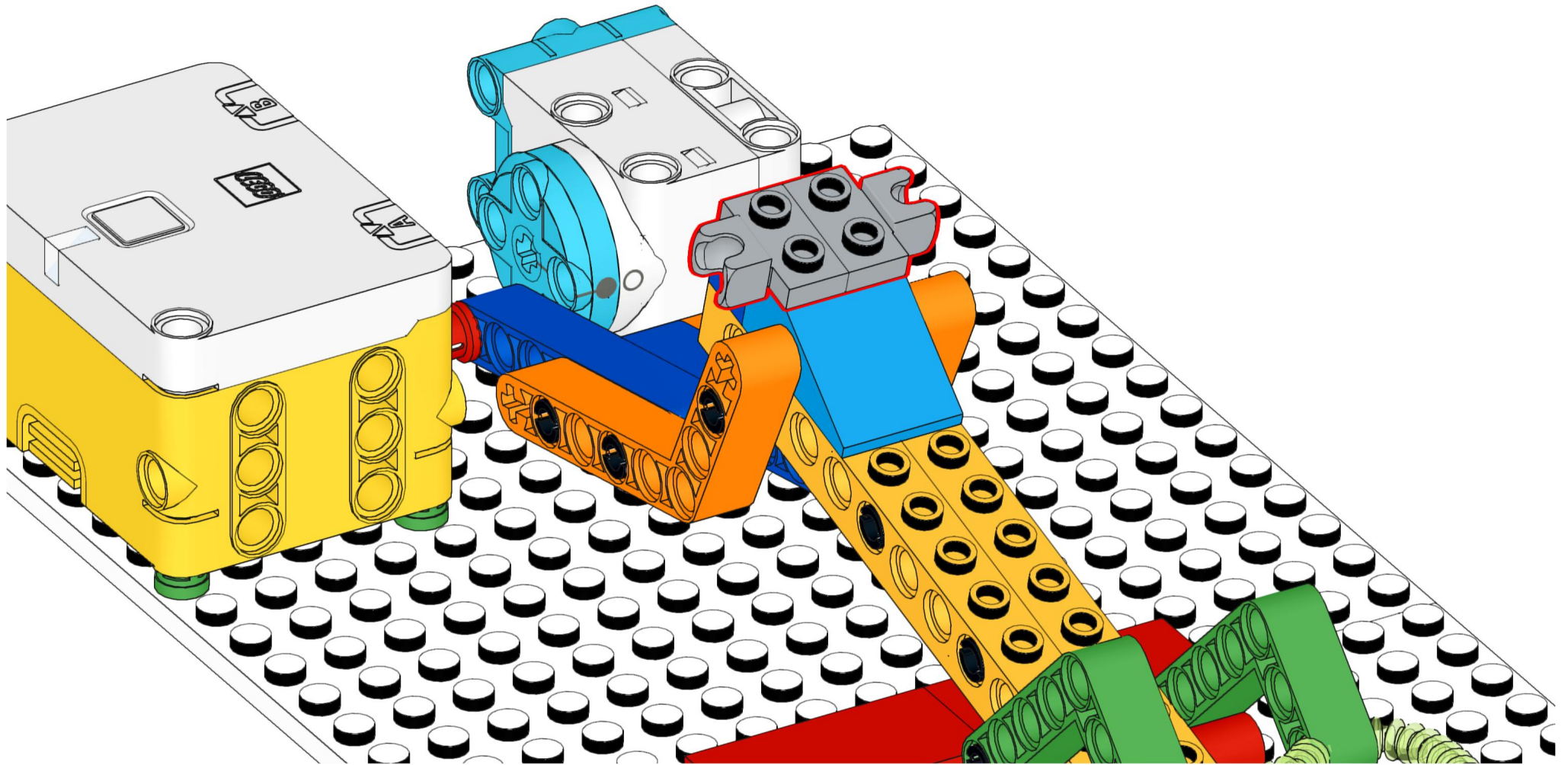
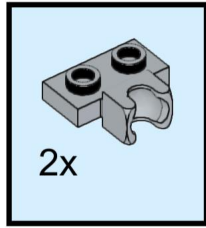




# 20

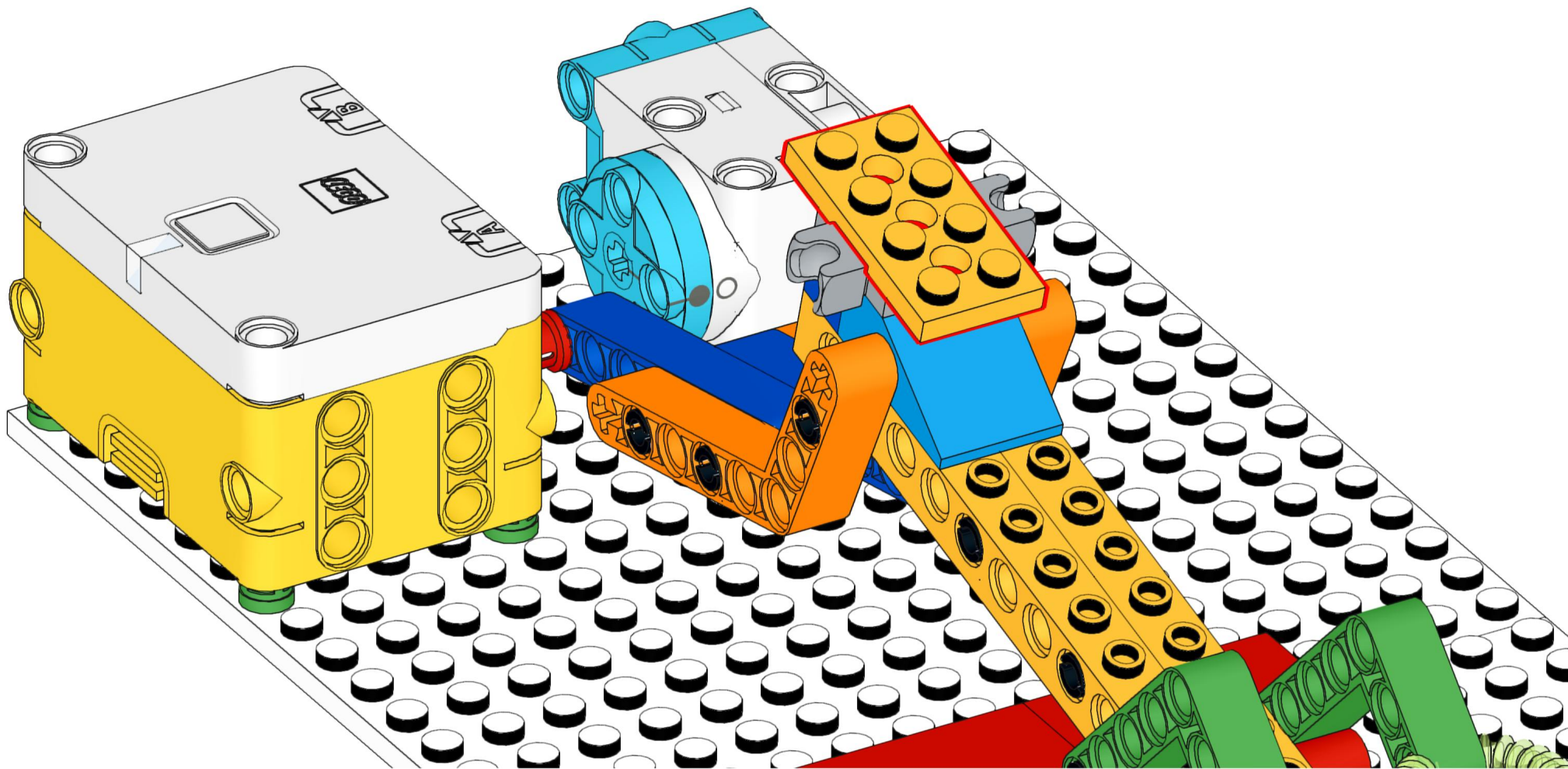
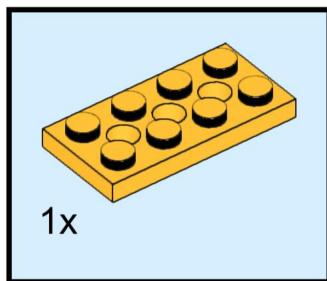


# 21



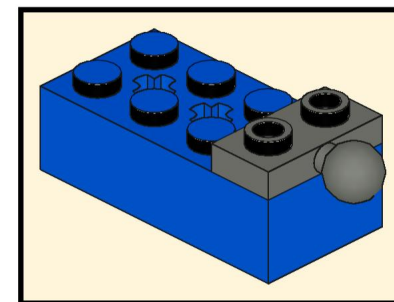
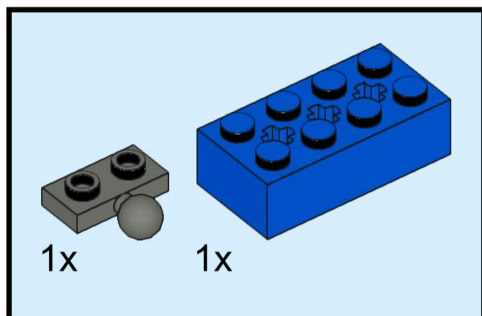


# 22

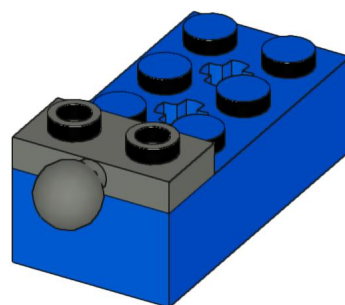




# 23

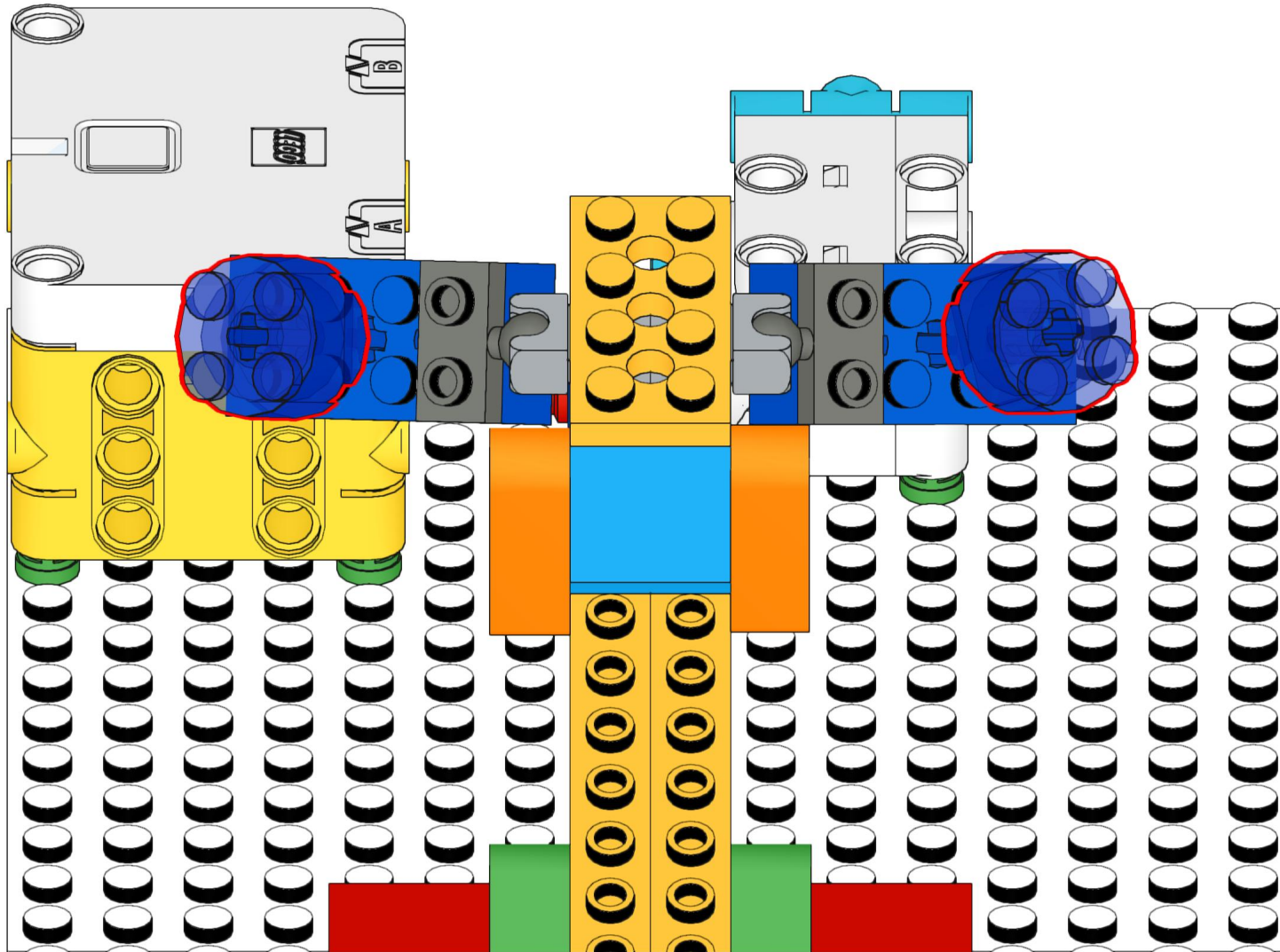
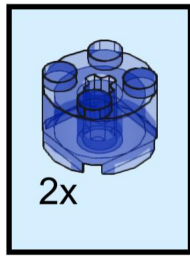


2x





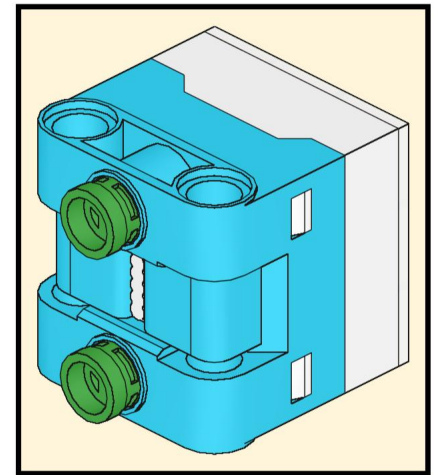
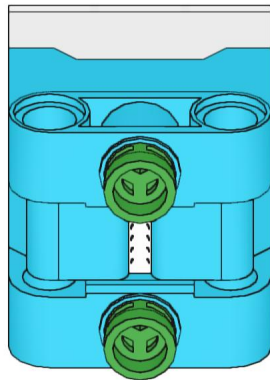
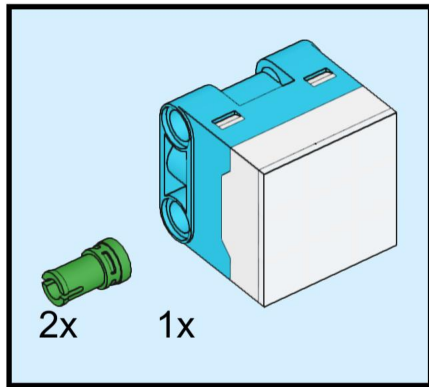
# 25







# 27



# 28

